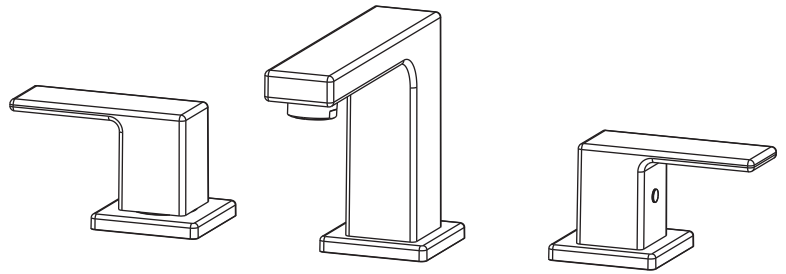




# Installation Instructions

Capri  
BA-600-03

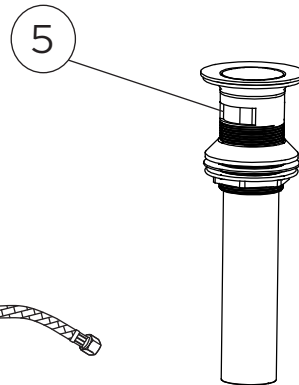
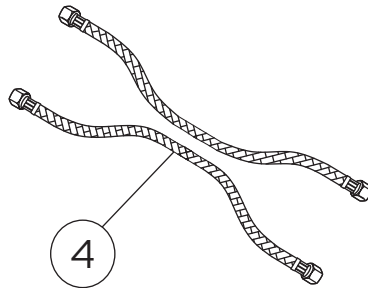
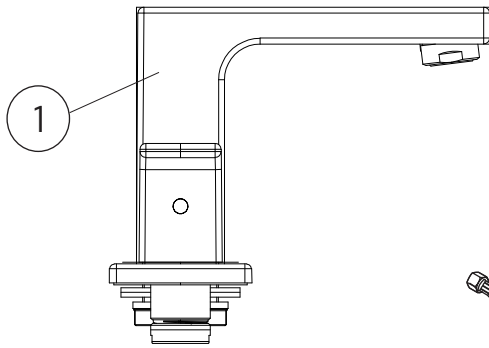
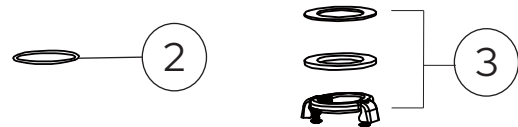
Two Handle Widespread Bathroom Faucet



Thank you for selecting Lulani.  
To ensure that your installation proceeds smoothly, please read these instructions carefully before you begin.

## Parts Included

- 1. Faucet
- 2. Above sink hardware: rubber O-ring
- 3. Below sink hardware: rubber washer, metal washer, mounting nut
- 4. Water supply lines
- 5. Over-flow pop-up drain



**!** Note: This faucet has been packaged with an over-flow pop-up drain. DO NOT use with a non-over-flow sink.

## Recommended Tools (not included)

- 1. Adjustable Wrench
- 2. Phillips Screwdriver
- 3. Safety Goggles
- 4. Flashlight
- 5. Bucket
- 6. Measuring Tape
- 7. Plumber's Putty
- 8. Channel Locks
- 9. Allen Key



### Caution: Tips for removal of old faucet

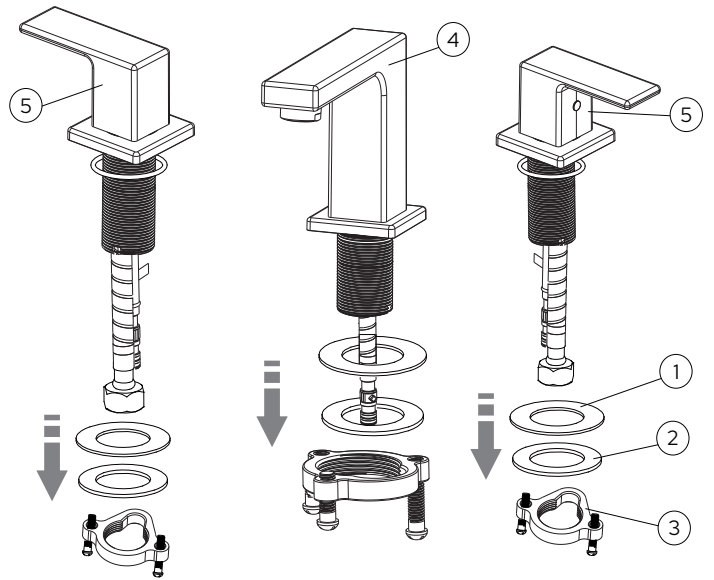
Always turn off the water supply before removing the existing faucet or replacing any part of the faucet. Open the faucet handle to relieve water pressure and ensure that water is completely shut off.

### Maintenance

Your new faucet is designed for years of trouble-free performance. Keep it looking new by cleaning it periodically with a soft cloth. Avoid abrasive cleaners, steel wool, and harsh chemicals as these will dull the finish and void your warranty.

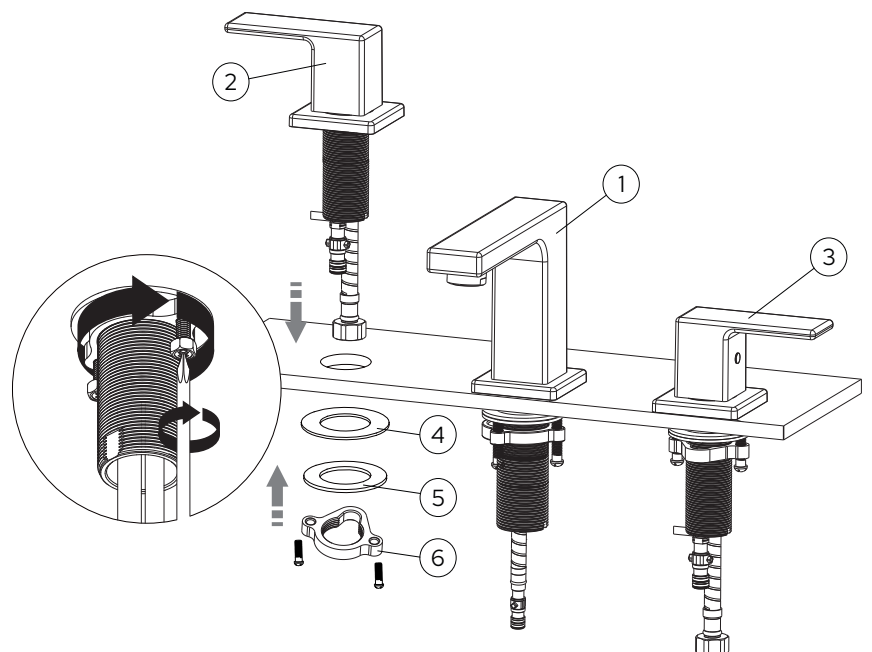
### Step 1

Remove the rubber washers (1), metal washers (2), and mounting nuts (3) from the faucet spout (4) and handles (5) by hand twisting off.



### Step 2

Place the faucet spout (1) through the center hole of the sink. Then, place the hot water handle (2) through the left hole and the cold water handle (3) through the right hole. From under the sink, secure the rubber washer (4), metal washer (5), and mounting nut (6) with a Phillips screwdriver.



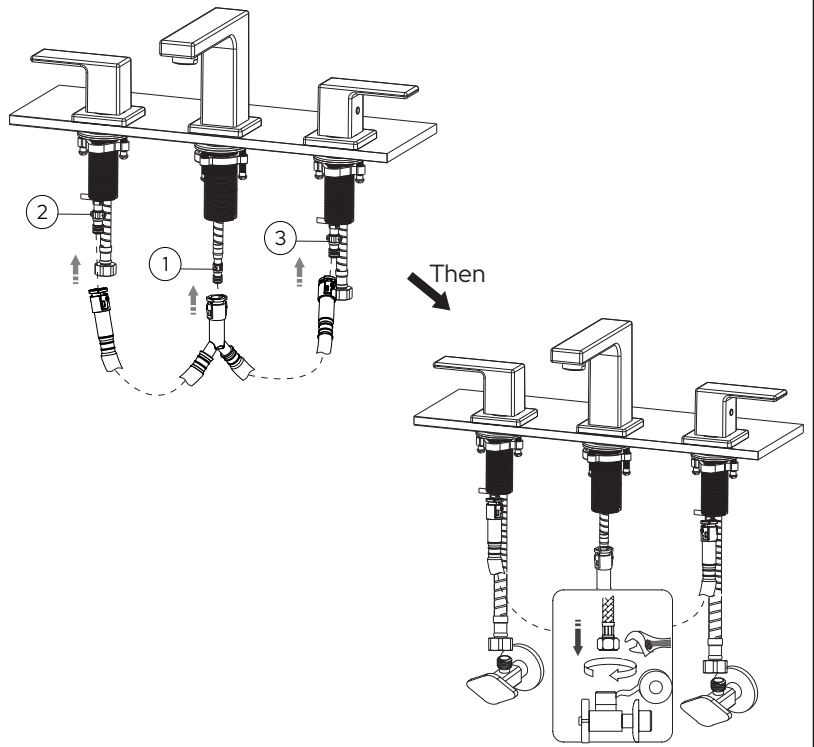
### Step 3

Attach the quick connect hose connections to the hot faucet handle (2) connection, faucet spout (1) connection, and cold faucet handle (3) connection. Push the supply hose adapter together with the coupling until you hear a "click".

Then, connect the water supply lines to the hot and cold water supply valves. Secure and tighten with an adjustable wrench.

Caution: Be careful not to mix up the hot and cold supply lines.

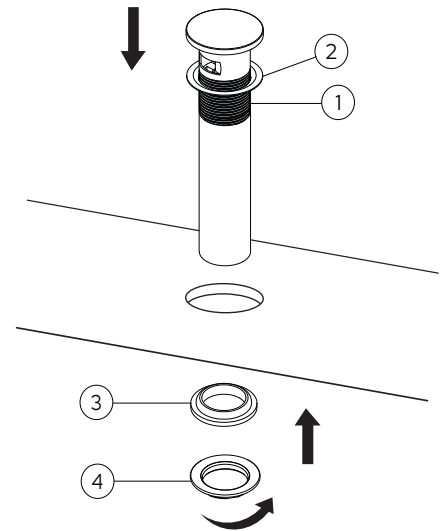
Check all connections for leaks. Re-tighten if necessary. **Do not over tighten!**



### Step 4

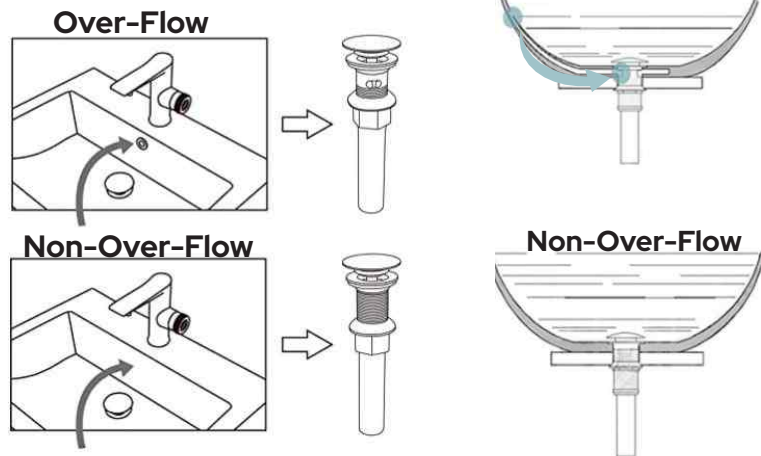
From the top of the drain hole, place the drain (1) through the installation hole. Make sure that the rubber o-ring (2) is on the top side of the sink. From under the drain hole, install the rubber gasket (3) and metal nut (4) by hand twisting on to the tail pipe of the drain. Then, install the tail pipe to the wall plumbing.

\*Note: Lulani faucets are packaged with over-flow drains by default. If you have a specialty sink and need a NON-over-flow drain, please contact us for details.



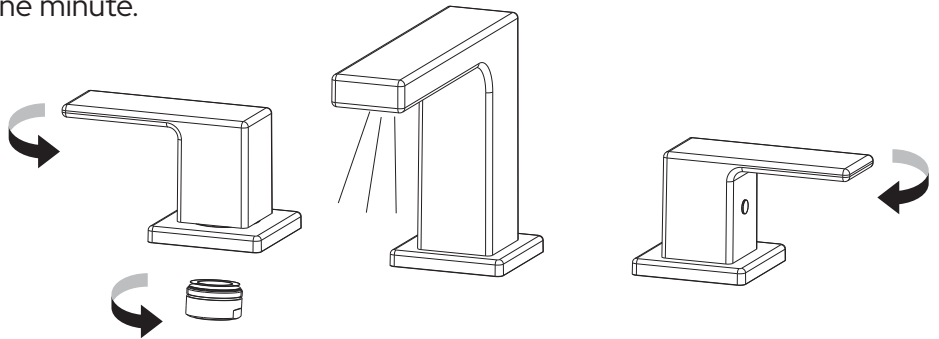
### What's an over-flow pop-up drain?

The primary purpose of the over-flow drain is to help your sink drain faster. The over-flow on the drain works in coordination with the primary drain to prevent flooding.



## Step 5

After installation is complete, remove the aerator to flush for any possible debris. Turn the faucet handle all the way on, turn on the hot and cold water supply and flush water lines for one minute. Re-install the aerator once complete.



## About our products

The Capri premium widespread bathroom faucet is a smart choice for any modern aesthetic. Inspired by its high-fashion Italian namesake, this premium faucet features a durable brass body construction, ADA compliant design, and a lifetime limited warranty. Available in chrome, brushed nickel, champagne gold, and matte black.

### **BOLD, MODERN DESIGNS**

Inspired by the world's most exotic locations, every Lulani product is designed to leave a lasting impression. After the initial sketch, our talented team of product engineers complete an extensive R&D process ensuring each piece performs beautifully.

### **ONLY THE HIGHEST QUALITY OF MATERIALS**

We settle for nothing short of perfection. That's why we source only the finest raw materials, components, and finishes. No shortcuts. Only the best for you and your family.

### **BEAUTY THAT LASTS A LIFETIME**

Our quality control experts meticulously test and retest each and every one of our products to ensure they exceed even the highest standards for health, safety and durability. From corrosion, pressure and decay resistance to flow rate and ease of assembly, all of our craftsmanship is backed by an industry-leading Lifetime Limited Warranty.



Congratulations! You've successfully finished installing your new faucet. For troubleshooting questions or concerns, please reference the Owner's Manual or visit our website at [www.lulani.com](http://www.lulani.com).

We value your opinion! Don't forget to leave us a review.